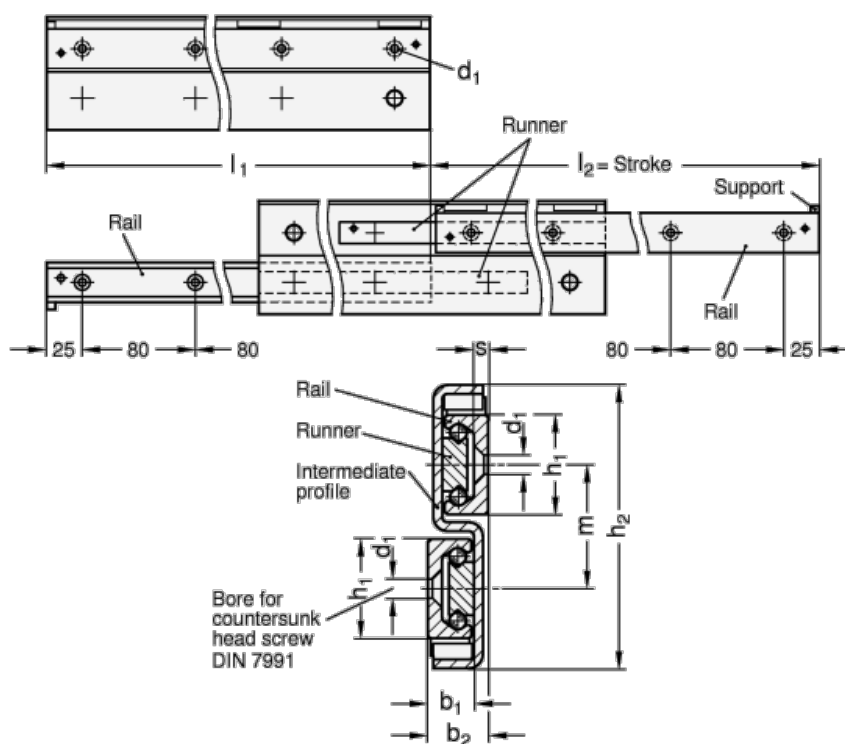


Article number: 202406431010E

Description: E+G Telescope-Liear motion bearings GN 2406-43-1010-E

Measures



$b_1 = 21$

$b_2 = 28$

$d_1 = 8.5$

$h_1 = 43$

$h_2 = 117$

$L_1 = 1010 - 1036$

$m = 52$

$s = 4.5$

Weight in (g) = 14750